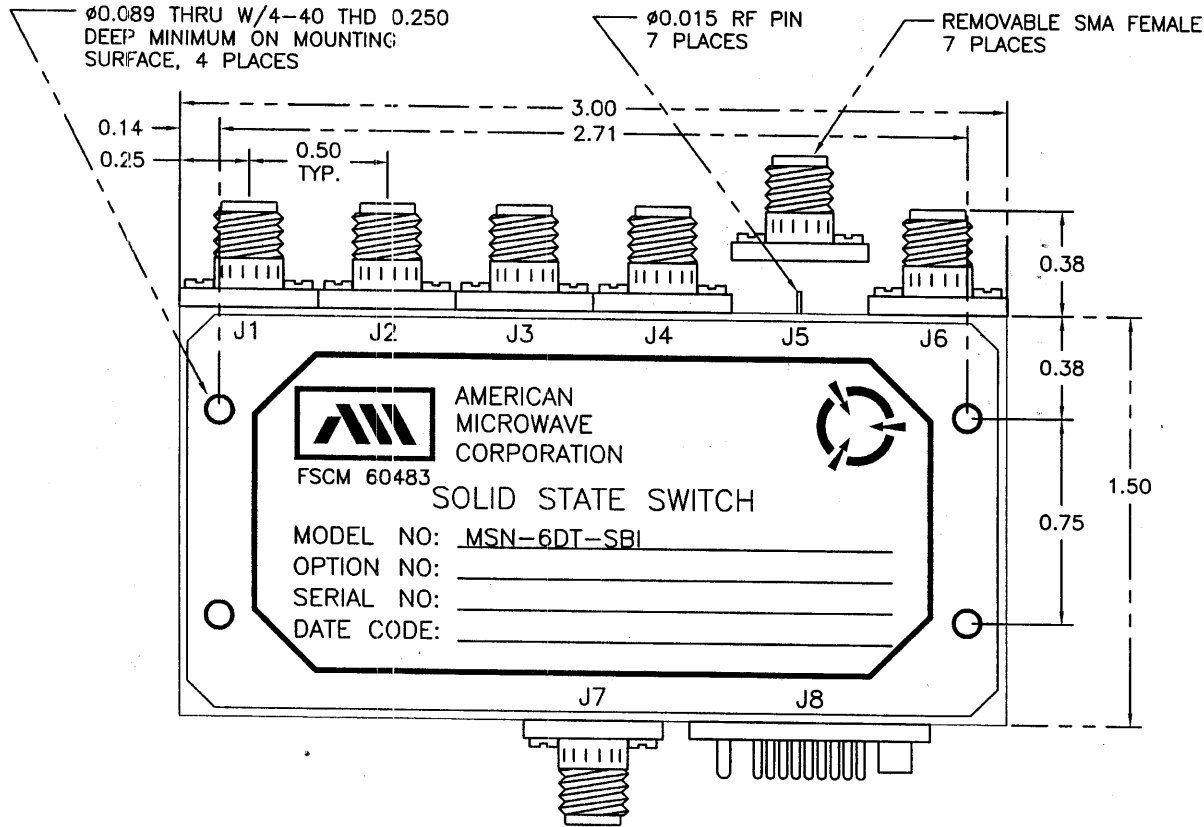


DESCRIPTION

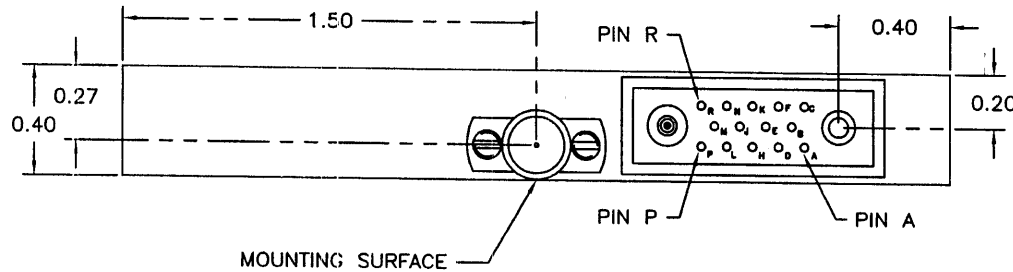
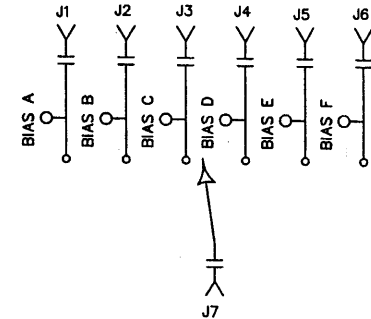
AMC MODEL MSN-6DT-SBI IS A SINGLE POLE SIX THROW ABSORPTIVE/NON-REFLECTIVE SWITCH DESIGNED TO OPERATE OVER THE FULL 2 TO 18 GHz FREQUENCY RANGE. IT IS CONTROLLED THROUGH A 14 PIN MULTIPIN CONNECTOR (MATING CONNECTOR IS FURNISHED).

REVISIONS				
ZONE	REV.	DESCRIPTION	DATE	APPROVED
	-	ORIGINAL RELEASE JOB# 409220PE	12/15/04	



MECHANICAL OUTLINE

BLOCK DIAGRAM



ALL DIMENSIONS ARE IN INCHES
 TOLERANCES:
 X.XX ± 0.020
 X.XXX ± 0.010

AMERICAN MICROWAVE CORPORATION

7311-G GROVE ROAD
 FREDERICK, MARYLAND 21704 USA
 TEL: 301-662-4700 FAX: 301-662-4938
 WEBSITE: www.americanmicrowavecorp.com
 E-MAIL: sales@americanmicrowavecorp.com
 ISO 9001:2000 CERTIFIED



APPROVALS		DATE	TITLE			REV.
DRAWN	<i>gdy</i>	12/15/04	MECHANICAL OUTLINE MSN-6DT-SBI			-
CHECKED	<i>PA</i>	1/14/05	2 - 18 GHz, SINGLE POLE SIX THROW SWITCH			-
ISSUED			SIZE	FSCM NO.	DWG NO.	
			A	60483	100-7237	
			SCALE	N:S	SHEET	2 OF 3